

**YOUR
RELIABLE
PARTNER**



Sovol Bakeware

Sovol Bakeware is located in Shanghai with a decade of solid experience in manufacturing various metallic baking pans for commercial bakeries and retail food service market. Our wide product range covers loaf pans, baking trays, cupcake & muffin pans, trolleys & oven racks, pizza and cake moulds, and other bakery accessories.

With our persistent investment in research & development as well as in production equipment, we are able to supply our clients with much wider selection of baking pans with hundreds of dies shapes and sizes. We also custom make baking pans to help your unique ideas come to realization with Sovol' s flexible & advanced production system.

We have been deeply involved in Australian market for more than 20 years,you will find this catalogue is specially present for Australia/New Zealand Clients. Our comprehensive range of existed items includes almost all the items Australia bakery demands: 3 sided baking trays, bread pan sets,various muffin tray,roll and bun trays, cooling wires,flat packed racks,etc.

Our aim is to provide our customers with the maximum strength baking pans at affordable prices in a short lead-time.





SOVOL BAKEWARE

BREAD PAN SETS



340g Loaf Pan 046/3

Configuration:	Set of 3
Top Inside:	171 x 102
Base Outside:	154 x 86
Depth:	98
Overall Dimensions:	400x184x98
Material:	Aluminised Steel
Finish:	Teflon PTFE or Silicone Glazed



680g Loaf Pan 158/3

Configuration:	Set of 3
Top Inside:	280 x 115
Base Outside:	264 x 100
Depth:	115
Overall Dimensions:	400 x 296 x 115
Material:	Aluminised Steel
Finish:	Teflon PTFE or Silicone Glazed



450g Loaf Pan 109/3

Configuration:	Set of 3
Top Inside:	234 x 102
Base Outside:	223 x 90
Depth:	95
Overall Dimensions:	400 x 250 x 95
Material:	Aluminised Steel
Finish:	Teflon PTFE or Silicone Glazed



700g-900g Loaf Pan 193B/2

Configuration:	Set of 2
Top Inside:	271 x 134
Base Outside:	252 x 125
Depth:	123
Overall Dimensions:	402 x 287 x 123
Material:	Aluminised Steel
Finish:	Teflon PTFE or Silicone Glazed



680g Loaf Pan 122B/3

Configuration:	Set of 3
Top Inside:	270 x 108
Base Outside:	255 x 100
Depth:	108
Overall Dimensions:	400 x 283 x 108
Material:	Aluminised Steel
Finish:	Teflon PTFE or Silicone Glazed



700g-900g Loaf Pan 193B/3

Configuration:	Set of 3
Top Inside:	268 x 134
Base Outside:	254 x 124
Depth:	125
Overall Dimensions:	460 x 280 x 126
Material:	Aluminised Steel
Finish:	Teflon PTFE or Silicone Glazed



900g Loaf Pan 059/3

Configuration:	Set of 3
Top Inside:	296 x 116
Base Outside:	277 x 106
Depth:	108
Overall Dimensions:	400 x 311 x 108
Material:	Aluminised Steel
Finish:	Teflon PTFE or Silicone Glazed



Drop on lids

Material:	Aluminised Steel
Options:	Slotted or unslotted

BREAD PAN



Farmhouse Loaf Pan Deep Drawn FHS/4

Configuration:	Set of 4
Top Inside:	176 x 122
Base Outside:	164 x 110
Depth:	76
Overall Dimensions:	400 x 285 x 76
Material:	Aluminised Steel
Finish:	Teflon PTFE or Silicone Glazed



Variety Loaf Pans

Material:	Aluminised Steel
Finish:	Teflon PTFE or Silicone Glazed



Farmhouse Loaf Pan Deep Drawn FHS/3

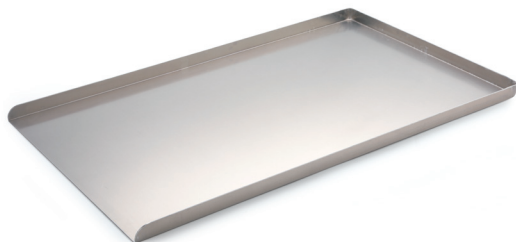
Configuration:	Set of 3
Top Inside:	176 x 122
Base Outside:	164 x 110
Depth:	76
Overall Dimensions:	460 x 189 x 76
Material:	Aluminised Steel
Finish:	Teflon PTFE or Silicone Glazed

SINGLE PANS DIMENSIONS:

Description	Pan Size (Top LengthxWidthxDepth)
Folded Pan	171x67x55
Folded Pan	180x111x112
Folded Pan	233x100x98
Folded Pan	236x163x70
Folded Pan	244x131x120
Folded Pan	271x108x106
Folded Pan	271x134x123
Folded Pan	280x115x115
Deep Drawn Pan	171x102x98
Deep Drawn Pan	176x122x76
Deep Drawn Pan	177x116x112
Deep Drawn Pan	235x123x112
Deep Drawn Pan	268x134x125
Deep Drawn Pan	270x108x108

All measurements are in millimetres.Sovol reserves the rights to modify specification without notice.

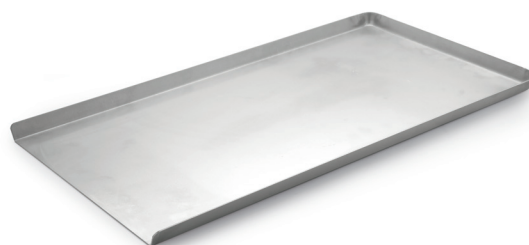
BAKING TRAYS



Flat Baking Non-Perforated 3-sided Tray

Overall Dimensions:

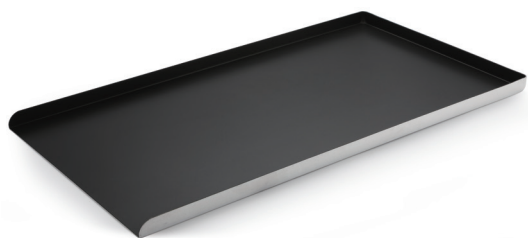
A1616R3	406 x 737 x 25
A1816R3	455 x 737 x 25
Material	Aluminium
Finish	Natural



Flat Baking Non-Perforated Or Perforated 3-Angle Sided Trays

Overall Dimensions:

A1616R3	406 x 737 x 25
A1816R3	455 x 737 x 25
Material	Aluminium
Finish	Natural or Teflon PTFE



Flat Baking Non-Perforated 3-sided Tray

Overall Dimensions:

A1616R3	406 x 737 x 25
A1816R3	455 x 737 x 25
Material	Aluminium
Finish	Natural or Teflon PTFE



Seamless Non-Perforated 4 Tapered Sides & Wired Top Edges

Overall Dimensions:

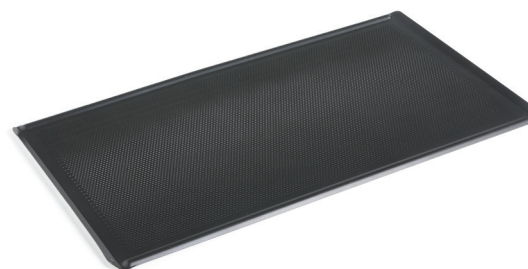
1826N	18'' x 26''
1813N	18'' x 13''
Material:	Aluminium
Finish:	Natural



Flat Baking Perforated 3-sided Tray

Overall Dimensions:

A1616R3P	406 x 737 x 25
A1816R3P	455 x 737 x 25
Material	Aluminium
Finish	Natural or Teflon PTFE



Flat Trays Perforated With Swage SWT406 & SWT455

Overall Dimensions:

SWT406:	406 x 737 x 6
SWT455:	455 x 737 x 6
Material:	Aluminium
Finish:	Teflon PTFE

Shanghai Sovol Bakeware Co.,Ltd.
 Lane 981,Qinghewan Road, Qingpu,Shanghai, China
 Tel:+86 21 51918907
 E-mail: info@sovolware.com
 Web: www.sovolware.com



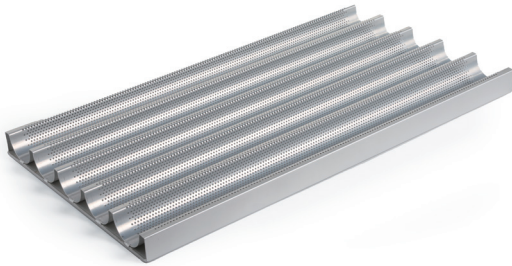
Non-Stick Bake-Rite Mat

BRM 406:	395 x 725
BRM 455:	443 x 725
Material:	Silicone



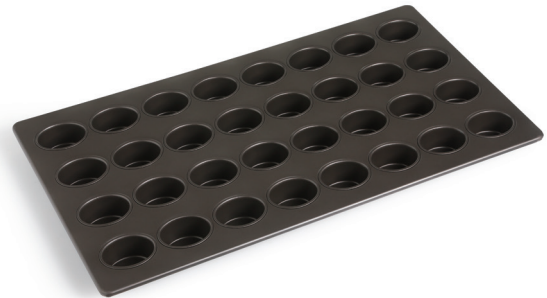
Baguette Tray Perforated ASV4

No. of Impressions:	4
Stick Width:	75
Impression Depth:	35
Overall Dimensions:	400 x 737 x 41.4
Material:	Aluminium
Finish:	Teflon PTFE or Silicone Glazed



Baguette Tray Perforated ASV5

No. of Impressions:	5
Stick Width:	65
Impression Depth:	34
Overall Dimensions in two sizes:	-----
ASV5-16'':	406 x 737 x 41.4
ASV5-18'':	455 x 737 x 41.4
Material:	Aluminium
Finish:	Teflon PTFE or Silicone Glazed



Friand Tray M75/3016

Configuration:	8 rows of 4
Overall Dimensions:	406 x 760 x 40
Cup Sizes:	-----
Diameter Top:	75 x 56
Diameter Bottom:	65
Depth:	40
Material:	Aluminised Steel
Finish:	Teflon PTFE or Silicone Glazed



Baguette Tray Perforated ASV6

No. of Impressions:	6
Stick Width:	62
Impression Depth:	24
Overall Dimensions:	660 x 460 x 35
Material:	Aluminium
Finish:	Teflon PTFE or Silicone Glazed



Regular Muffin Tray M70/2916

Configuration:	8 rows of 4
Overall Dimensions:	400 x 735 x 35
Cup Sizes:	-----
Diameter Top:	70Ø
Diameter Bottom:	55Ø
Depth:	35
Material:	Aluminised Steel
Finish:	Teflon PTFE or Silicone Glazed



BAKING TRAYS



Texas Muffin Tray M88/2918

Configuration:	6 rows of 4
Overall Dimensions:	455 x 735 x 45
Cup Sizes:	
Diameter Top:	88Ø
Diameter Bottom:	66Ø
Depth:	45
Material:	Aluminised Steel
Finish:	Teflon PTFE or Silicone Glazed



Hamburger Roll Tray Round Deep M122

Configuration:	5+4+5
Overall Dimensions:	406 x 760 x 25
Cup Sizes:	
Diameter Top:	122Ø
Diameter Bottom:	113Ø
Depth:	25
Material:	Aluminised Steel
Finish:	Teflon PTFE or Silicone Glazed



Mini Muffin Tray M47/2916

Configuration:	10 rows of 5
Overall Dimensions:	400 x 735 x 25
Cup Sizes:	
Diameter Top:	47Ø
Diameter Bottom:	30Ø
Depth:	25
Material:	Aluminised Steel
Finish:	Teflon PTFE or Silicone Glazed



Hamburger Roll Tray Round Deep M120

Configuration:	5 rows of 3
Overall Dimensions:	735 x 455 x 25
Cup Sizes:	
Diameter Top:	120Ø
Diameter Bottom:	112Ø
Depth:	25
Material:	Aluminised Steel
Finish:	Teflon PTFE or Silicone Glazed



Hamburger Roll Tray Shallow

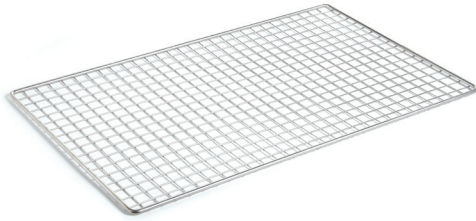
Configuration:	6 rows of 3
Overall Dimensions:	450 x 750 x 12
Diameter Top:	104Ø
Diameter Bottom:	96Ø
Depth:	12
Material:	Aluminised Steel
Finish:	Teflon PTFE or Silicone Glazed



Torpedo Roll Hot Dog Baton WETP175

Configuration:	4 rows of 5
Overall Dimensions:	406 x 760 x 12
Top Inside:	175 x 58
Bottom Inside:	160 x 42
Depth:	12
Material:	Aluminised Steel
Finish:	Teflon PTFE or Silicone Glazed

COOLING WIRES



Stainless Steel Cooling Wires TR Style Production Racks

Overall Dimensions:

CW816SS:	406 x 737
CW818SS:	455 x 737
Finish:	Stainless Steel



500g Loaf Pan

Configuration:	Set of 3
Top Inside:	235 x 123
Base Outside:	215 x 111
Depth:	112
Overall Dimensions:	455 x 247 x 112
Material:	Aluminised Steel
Finish:	Teflon PTFE or Silicone Glazed

Cake Moulds



Material:	Aluminium
Finish:	Hard Anodized



Garlic Bread Tray

Configuration:	2 rows of 3
Overall Dimensions:	450 x 600 x 18
Top Inside:	240 x 110
Bottom Inside:	235 x 105
Depth:	18
Material:	Aluminised Steel
Finish:	Teflon PTFE or Silicone Glazed

CUSTOM PRODUCTS



Corrugated Loaf Pan

Configuration:	Set of 3
Top Inside:	177 x 116
Base Outside:	164 x 104
Depth:	112
Overall Dimensions:	400 x 190 x 114
Material:	Aluminised Steel
Finish:	Teflon PTFE or Silicone Glazed



Garlic Bread Tray

Configuration:	3 rows of 5
Overall Dimensions:	400 x 730 x 35
Top Inside:	229 x 65
Bottom Outside:	229 x 65
Depth:	35
Material:	Aluminised Steel
Finish:	Teflon PTFE or Silicone Glazed

CUTOM PRODUCTS



Fabricated Roll Tray

No. of Impressions:	8
Overall Dimensions:	944 x 363 x 92
Stick Width:	92
Impression Depth:	35
Material:	Aluminised Steel
Finish:	Teflon PTFE



Muffin Tray WEHS129

Configuration:	3 rows of 5
Overall Dimensions:	455 x 890 x 55
Diameter Top:	129Ø
Diameter Bottom:	125Ø
Depth:	55
Material:	Aluminised Steel
Finish:	Teflon PTFE



Brownie Tray

Configuration:	4 rows of 12
Overall Dimensions:	455 x 890 x 55
Top Inside:	85 x 42
Bottom Inside:	75.5 x 36.2
Depth:	32
Material:	Aluminised Steel
Finish:	Teflon PTFE

RACK SYSTEMS



Stainless Steel FLATPACK TRSS Production Racks

Front loading Racks
for breadpans and roll trays
fully adjustable to suit
16" (406mm) or 18" (455mm) trays.

TR10SS100 COLLAPS:	10 shelves
TR12SS100 COLLAPS:	12 shelves
TR15SS COLLAPS:	15 shelves
TR18SS COLLAPS:	18 shelves
TR22SS COLLAPS:	22 shelves

Overall Dimensions:

TR10SS100:	470 x 1810 x 740
Runner Width:	100
TR12SS100:	470 x 1810 x 740
Runner Width:	100
TR15SS:	470 x 1810 x 740
Runner Width:	75
TR18SS:	470 x 1810 x 740
Runner Width:	75
TR22SS:	470 x 1810 x 740
Runner Width:	75
Finish:	Stainless Steel Shipped flat packed

If you still not find "YOUR" ideal pans, pls pick up phone to call us, we will offer ours professional customized services with a few parameters as shown here.



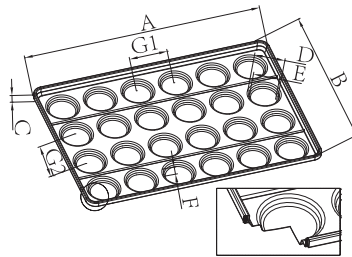
SOVOL BAKEWARE

Material	★ Al. Alloy or Al-steel & The Thickness	
Sizes	★ Pan Overal Sizes, Topin LxW, Bottom Out LxW, Height	
Features	<ul style="list-style-type: none"> ★ 1.Drawn Pan or Welded Pan ★ 2.Band In Rim or Wire In Rim ★ 3.If With Holes or Corrugated Pan 	
Coating	★ If Need Coating & What Kind of Coating	
Others	★ Any Tips You Wish to Advise Us Before We Deign	



Further more, when you need "YOUR" bun & roll customized pans, we only need the informaiton below:

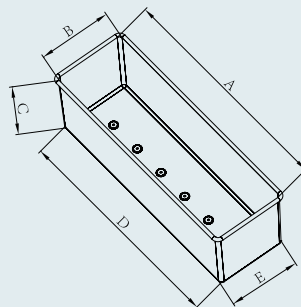
- A .Overall Length
- B .Overall Width
- C . Height
- D. Topin Diameter
- E.Bottomin Diameter
- F.Depth inside
- G1/G2. Center-to-center



If you still not find "YOUR" ideal pans, pls pick up phone to call us, we will offer our professional customized services with a few parameters as shown here.

Customized Bread Pan

- A .Topin Length
- B . Topin Width
- C . Depth
- D . Bottomin Length
- E . Bottomin Width



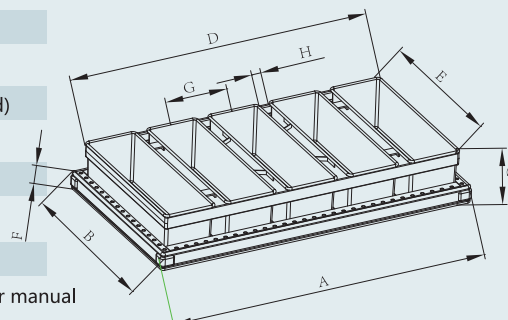
- ★ Material/Thickness: 0.8mm Al-steel/1.0mm Al
- ★ Coating:With or without coating
- ★ Others: With or without air circulation holes /with or without lid /with corrugated wall or not.

* For the calculation of the external dimensions for our bread pans,12mm need to added to dimension A and B for the rolled edge

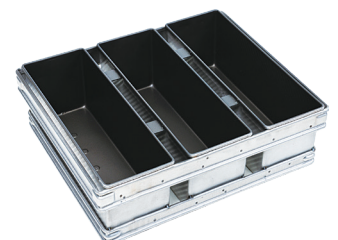


Customized Strapped Bread Pan Sets

- A. Overall Length of Pan Set
- B. Overall Width of Pan Set
- C. Overall Height of Pan Set
- D. Top Length of Strapped Pans (No Lid)
- E. Top Width of Strapped Pans (No Lid)
- F. Brace Width
- G. Center-Center of Pans
- H. Inner Gaps between Pans



*Pan set baking condition: automatic or manual

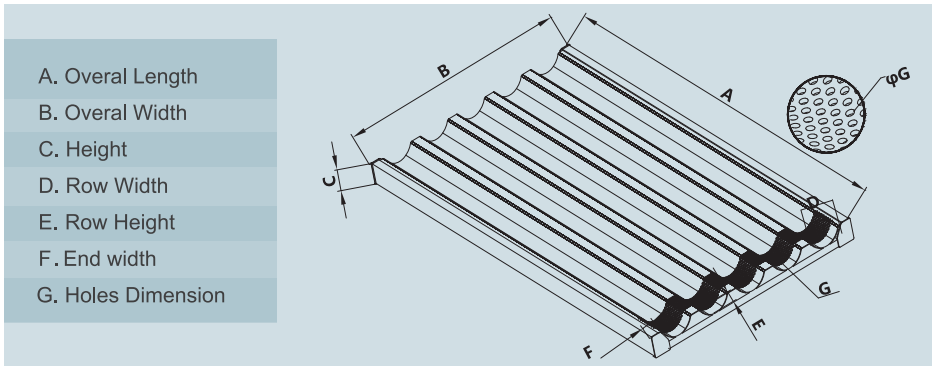


If pan set baking in rack, do checking the size of your rack for pan set hanging before give us the right sizes of customized pan sets.



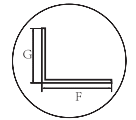
SOVOL BAKEWARE

If you still not find "YOUR" ideal pans, pls pick up phone to call us, we will offer our professional customized services with a few parameters as shown here.



- A. Overall Length
- B. Overall Width
- C. Height
- D. Row Width
- E. Row Height
- F. End width
- G. Holes Dimension

- A. Length of rack
- B. Width of rack
- C. Height of rack (not including caster)
- D. Distance between runners
- E. Height of caster
- F. Width of runner
- G. Height of runner

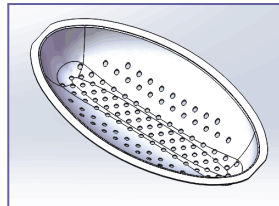
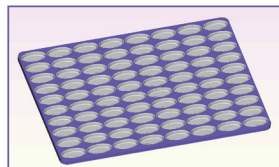


Customized Line Muffin Trays

Do you have any special requirements for your line muffin trays? Simply give us a call.

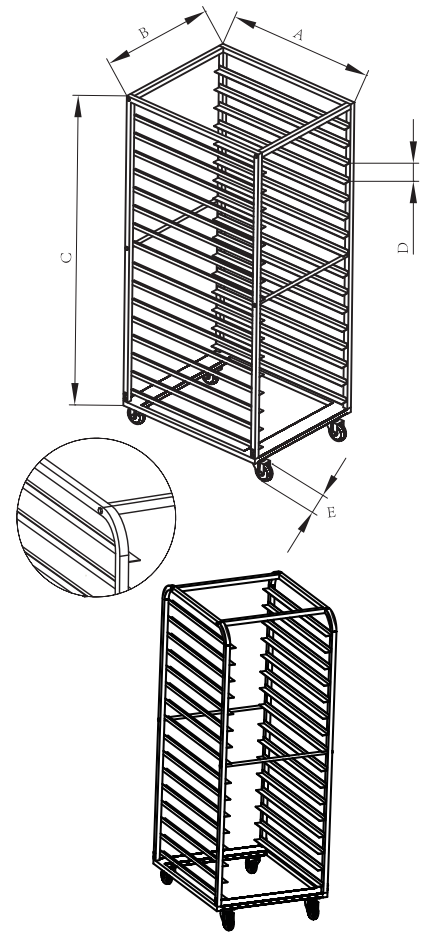
Muffin & Cake Trays for Auto-Lines Features:

- ◆ High Strength of Pan Sheet Structure
- ◆ Unique Design of Cross Reinforcements
- ◆ Lock-seamed Structure of Cups, Durable And Not Easy Lose
- ◆ With Round Corners To Reduce The Pans Stuck On Line
- ◆ Food Grade Aluminized Steel

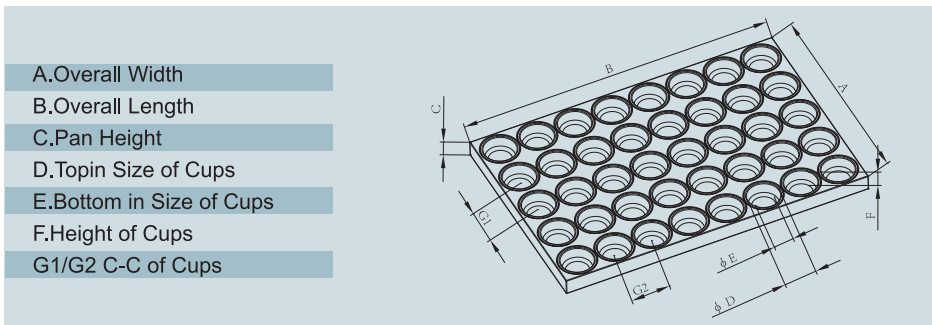


Only a few Information needed in order to design & produce the right cake pans suit your line:

1. Pan for Line or Rack?
2. With Pan Location Sensor or Not?
3. C-C Of Cups ?
4. With Paper Cups or Not?
5. Other Important Information for Us Before We Design?



Rack Assemble Demonstration



- A. Overall Width
- B. Overall Length
- C. Pan Height
- D. Topin Size of Cups
- E. Bottom in Size of Cups
- F. Height of Cups
- G1/G2 C-C of Cups



Item No	Wheel Options	Wheel Diameter×Width	Payload (Per Wheel)	Wheel Material	Caster Overall Height
1950	TPR Wheel	100*32mm	100kg	TPR on PP Core	136mm
1951	TPR With Brake	100*32mm	100kg	TPR on PP Core	136mm
1952	PU Wheel	100*32mm	120kg	TPR on PP Core	136mm
1953	Hi-Temp	100*32mm	136kg	Hi-Temp	130mm
1954	Hi-Temp	90*32mm	136kg	Hi-Temp	119mm
1955	Heavy Duty	75*46mm	220kg	NBR Rubber on cast	105mm

